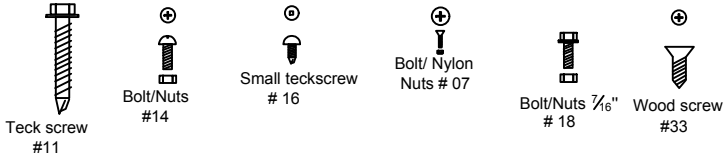


ATTENTION NOTICE

Please read carefully the instruction before using.
Follow the installation step by step.
For additional information please visit our web site at:
www.metalia.ca

REQUIRED TOOLS

- Screw driver Phillips and Flat head
- Drill
- Key or ratchet 7/16"****
- level

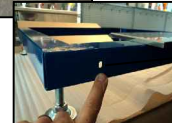


1



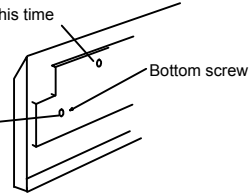
- A- Install the leveling screw legs at the minimum position
B- Put the level on each adjustable base, and screw together (if more more then 1 unit side by side (use teck screw # 11))

2



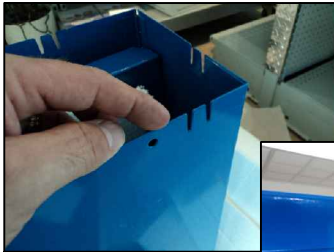
- A- Install the Stainless Steel cover on the adjustable base by using the bottom screw of the SS plate . The front of the adjustable base must be the one with holes only, not the one with the welded nuts. (see picture 1b and 1c)

- B- Remove the top screws at this time

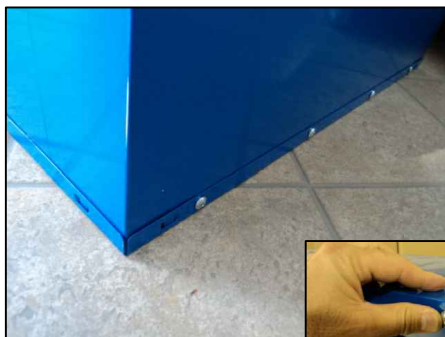


3

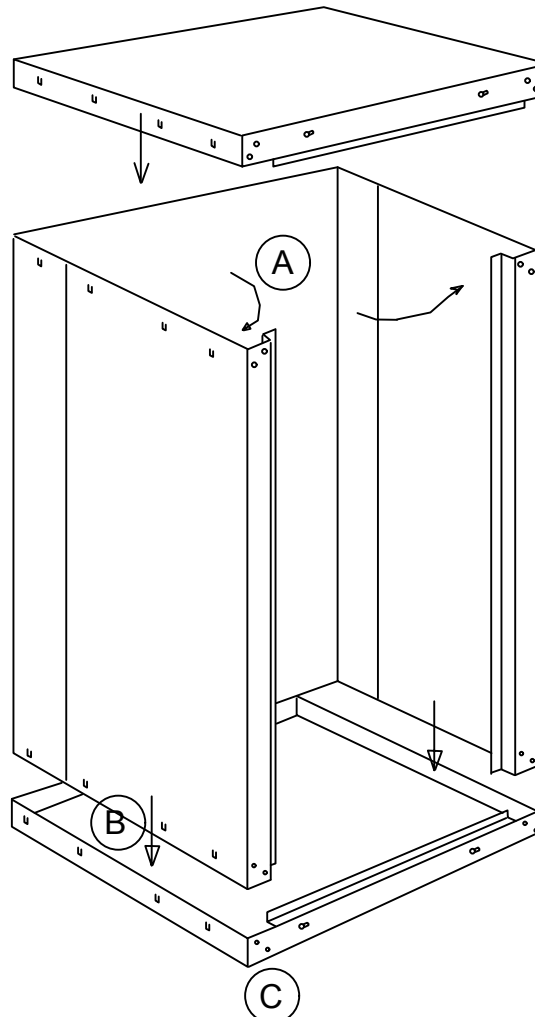
- (A) Open both side of the cabinet as per drawing.
(B) Insert the tabs on the base (see picture 3)
Note: top and bottom panels are identical
(C) Put the Screws and nuts # 14 in place and tight (see picture 4)
(D) To install the top: Repeat step B and C



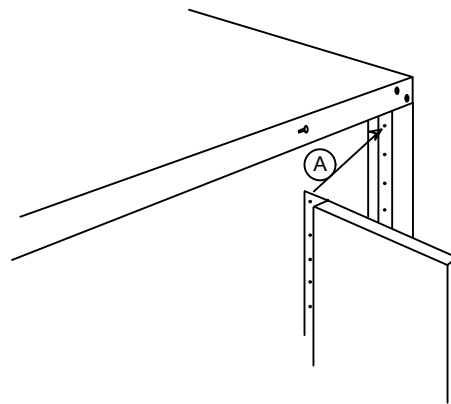
(B) PICTURE # 3



(C) PICTURE # 4



- ④
- Ⓐ Install the door by using the 2 positioning screws #33
 - Ⓑ When the doors are in position then use the small bolts and nylon nuts # 07



- ⑤ Install the finishing Stainless Steel on the top by sliding it into the holes and tight the screw from inside (see picture # 6)



PICTURE # 6

- ⑥ Lift and slide the cabinet on his base, aligned the bottom front holes of the cabinet with the SS base plate screws (see picture # 7). When on position tight the screws from inside the cabinet. Finalized by using 2 teckscrew # 11 on the bottom (back) to fix the cabinet to the base, use a drill with an hex tip. (see picture #7 a)



PICTURE # 7

PICTURE # 7 A

- ⑦ Install the plastic locking guide in place on the top and bottom of the cabinet door frame. (see picture # 8)



PICTURE # 8

- ⑧ If more than one cabinet side by side; you must bolt them all together by using bolts and nuts # 18 or by using teckscrew # 11.



ATTENTION NOTICE

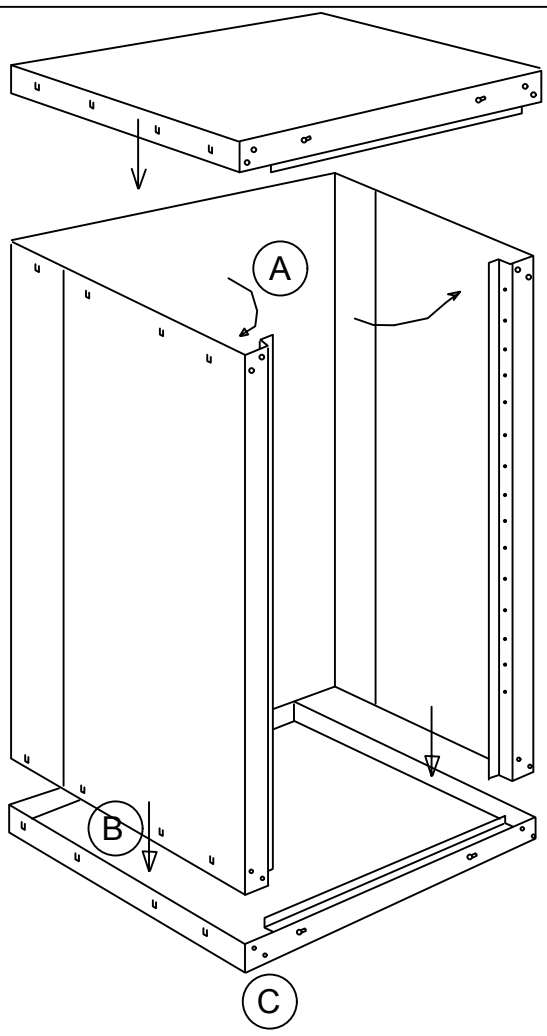
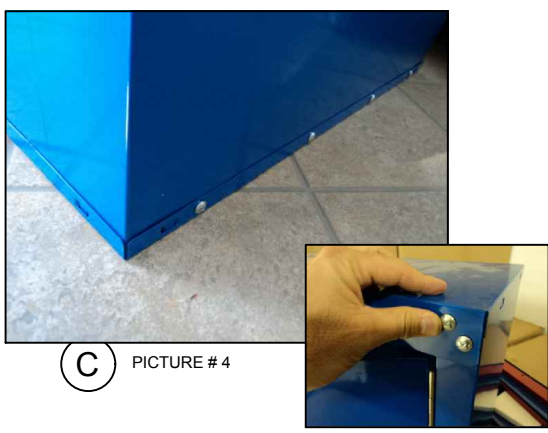
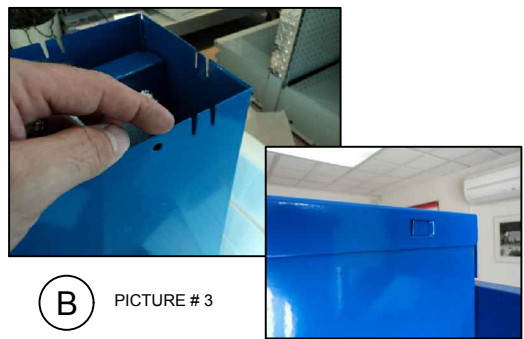
Please read carefully the instruction before using.
Follow the installation step by step.
For additional information please visit our web site at:
www.metalia.ca

REQUIRED TOOLS

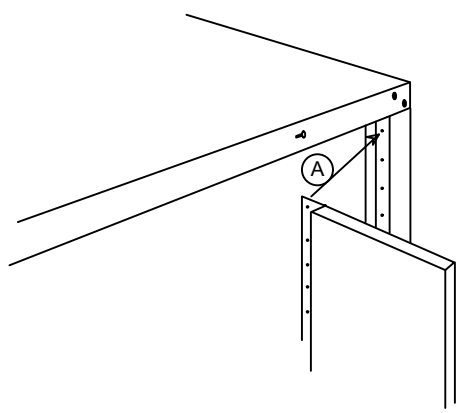
- Screw driver Phillips and Flat head
- Drill
- Key or ratchet 1/6"*****
- level



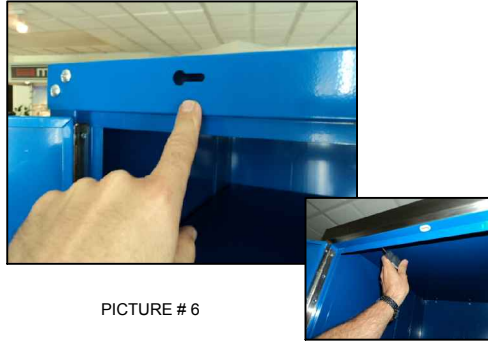
- 1
 - A) Open both side of the cabinet as per drawing.
 - B) Insert the tabs on the base (see picture 3)
Note: top and bottom panels are the same
 - C) Put the Screws and nuts # 14 in place and tight (see picture 4)
 - D) To install the top: Repeat step B and C



- 2
 - A) Install the door by using the 2 positioning screws #33
 - B) When the doors are in position then use the small bolts and nylon nuts # 07



- ③ Install the finishing Stainless Steel on the top (with the metalia punched logo) by sliding it into the holes and tight the screw from inside (see picture # 6), repeat the same for the bottom SS finishing plate (without logo)



PICTURE # 6

- ④ CABINET # MG-1231 Computer Cabinet
Repeat step 1 and 2 but do not install the steel doors, the computer cabinet is equiped with a plexiglass door. Install the black keyboard holder under the cabinet by using bolt and nuts # 18 (see picture # 10)



PICTURE # 10

- ⑤ If more than one cabinet side by side; you must bolt them all together by using bolts and nuts # 18 or by using teckscrew # 11.